

EN



INSTALLATION INSTRUCTIONS

INSTALLATION / SERVICING / MAINTENANCE / SAFETY ADVICE



ZODIAC ORIGINAL
ABOVE-GROUND POOL
WINKY / OVLINE

CONTENTS

PLEASE READ CAREFULLY AND KEEP FOR FUTURE REFERENCE

Read this manual carefully to understand all the information and to guarantee safe installation, use and maintenance. We accept no liability for any damage caused by failure to comply with the instructions in this manual.

SAFETY	p. 4
COMPOSITION OF THE KIT	p. 5
Winky 4	p. 5
Winky 5 - 105.....	p. 6
Winky 5 - 120.....	p. 7
Winky 6	p. 8
Winky 8	p. 9
Ovline 2000.....	p. 10
Ovline 3000.....	p. 11
Ovline 4000.....	p. 12
INFORMATION	p. 13
Advice and warnings.....	p. 14
Choosing a pool location.....	p. 17
Preparing the site and support.....	p. 20

CONTENTS

INSTALLATION OF THE POOL	p. 21
Example assembly	p. 22
Setting up the pool.....	p. 23
Inflating, installing the belt, fitting the bottom and filling	p. 25
Connecting the filter	p. 28
Fitting and installing the floating skimmer	p. 29
STARTING UP AND CLEANING THE POOL	p. 33
ASSEMBLING THE LADDER	p. 35
SAFETY ADVICE	p. 36
RECYCLING	p. 37

SAFETY

These instructions only apply to Zodiac Original pools.
Your accessories such as the ladder and filtration have their own instructions.

ⓘ Warning: it is strictly forbidden to use automatic disinfectant production by saltwater electrolysis in Zodiac Original pools.



Electrolysis generates hydrogen, which can concentrate inside the coil. Hydrogen is an explosive gas in the presence of a simple spark.

COMPOSITION OF THE WINKY 4 KIT

KIT WINKY 4

Before installing your WINKY 4 swimming pool, make sure you have all the components in the kit.

Reference	Description	Quantity
P38443	WINKY 4 Pool, including:	1
-P19737	- Complete belt loop for WINKY or OVLIN	12
-P19740	- WINKY 4 belt	1
-P4570	- Pair of plugs	1
-P17376	- ¼ turn valve	1
-P60999	- Barbed fitting 32/38 - 1 ; 1/2 for WINKY or OVLIN	1
-P4699	- Zodiac repair kit	1
P39749	Luxury safety ladder WINKY 4, 5/105 and OVLIN 2000	1
P34403	Ø 38 mm (12 m) separable hose kit	1
P36881	Floating Skimmer	1
P34657	OV6 inflation device	1
SAND	25 kg Sandbag	1
2260002HBN	6 m ³ /h sand filtration unit for Ø 38 mm hose	1

Approximate water volume **	12 m ³
Diameter of the body of water	3.80 m
Pool height	1.20 m

PACKAGING *

1 pallet of 1.20 x 0.60 x 1.75 m
Total weight: 52 kg

ASSEMBLY ***



2 persons



2 hours

* theoretical values - (bare pool)

** theoretical volume of water (pool and skirting)

*** approximate time for 2 people. Does not take into account the preparation of the soil or the filling of the pool.

COMPOSITION OF THE WINKY 5-105 KIT

KIT WINKY 5 - 105

Before installing your WINKY 5 - 105 swimming pool, make sure you have all the components in this kit.

Reference	Description	Quantity
P38444	WINKY 5 - 105 Pool, including:	1
-P19737	- Complete belt loop for WINKY or OVLINÉ	12
-P19741	- WINKY 5 - 105 Belt	1
-P4570	- Pair of plugs	1
-P17376	- ¼ turn valve	1
-P60999	- Barbed fitting 32/38 - 1; 1/2 for WINKY or OVLINÉ	1
-P4699	- Zodiac repair kit	1
P39749	Luxury safety ladder WINKY 4, 5/105 and OVLINÉ 2000	1
P34403	Ø 38 mm (12 m) separable hose kit	1
P36881	Floating Skimmer	1
P34657	OV6 inflation device	1
SAND	25 kg Sandbag	2
2260003	SF142 Filtration max flow 8 m ³ /h - Ø400 mm tank - Ø 38 mm hose	1

Approximate water volume **	23 m ³
Diameter of the body of water	5 m
Pool height	1m20 m

PACKAGING *

1 pallet of 1.20 x 0.80 x 1.90 m
Total weight: 68 kg

ASSEMBLY ***



* theoretical values - (bare pool)

** theoretical volume of water (pool and skirting)

*** approximate time for 2 people. Does not take into account the preparation of the soil or the filling of the pool.

COMPOSITION OF THE WINKY 5-120 KIT

KIT WINKY 5 - 120

Before installing your WINKY 5 - 120 swimming pool, make sure you have all the components in this kit.

Reference	Description	Quantity
P38444	WINKY 5 -120 pool, including:	1
-P19737	- Complete belt loop for WINKY or OVLIN	12
-P20422	- WINKY 5 - 120 Belt	1
-P4570	- Pair of plugs	1
-P17376	- ¼ turn valve	1
-P60999	- Barbed fitting 32/38 - 1 ; 1/2 for WINKY or OVLIN	1
-P4699	- Zodiac repair kit	1
P39751	Luxury safety ladder WINKY 5/120, 6 & 8 / OVLIN 30	1
P34403	Ø 38 mm (12 m) separable hose kit	1
P36881	Floating Skimmer	1
P34657	OV6 inflation device	1
SAND	25 kg Sandbag	2
2260003	SF142 Filtration max flow 8 m ³ /h - Ø400 mm tank - Ø 38 mm hose	1

Approximate water volume **	24 m ³
Diameter of the body of water	5.00 m
Pool height	1.25 m

PACKAGING *

1 pallet of 1.20 x 0.80 x 1.90 m
Total weight: 78 kg

ASSEMBLY ***



* theoretical values - (bare pool)

** theoretical volume of water (pool and skirting)

*** approximate time for 2 people. Does not take into account the preparation of the soil or the filling of the pool.

COMPOSITION OF THE WINKY 6 KIT

KIT WINKY 6

Before installing your WINKY 6 swimming pool, make sure you have all the components in the kit.

Reference	Description	Quantity
P38445	WINKY 6 Pool, including:	1
-P19737	- Complete belt loop for WINKY or OVLIN	12
-P19742	- WINKY 6 belt	1
-P4570	- Pair of valves	1
-P17376	- ¼ turn valve	1
-P60999	- Barbed fitting 32/38 - 1 ; 1/2 for WINKY or OVLIN	1
-P19738	- Belt loop base	1
-P4699	- Zodiac repair kit	1
P39751	Luxury safety ladder WINKY 5/120, 6 & 8 / OVLIN 30	1
P34403	Ø 38 mm (12 m) separable hose kit	1
P36881	Floating Skimmer	1
P34657	OV6 inflation device	1
SAND	25 kg Sandbag	3
2260004	SF152 Filtration max flow 11 m ³ /h - Ø500 mm tank - Ø 38 mm hose	1

Approximate water volume **	37 m ³
Diameter of the body of water	6 m
Pool height	1.25 m

PACKAGING *

1 pallet of 1.20 x 0.80 x 1.93 m
Total weight: 94 kg

ASSEMBLY ***



* theoretical values - (bare pool)

** theoretical volume of water (pool and skirting)

*** approximate time for 2 people. Does not take into account the preparation of the soil or the filling of the pool.

COMPOSITION OF THE WINKY 8 KIT

KIT WINKY 8

Before installing your WINKY 8 swimming pool, make sure you have all the components in the kit.

Reference	Description	Quantity
P38446	WINKY 8 Pool, including:	1
-P19737	- Complete belt loop for WINKY or OVLIN	14
-P19743	- WINKY 8 belt	1
-P4570	- Pair of valves	1
-P17376	- ¼ turn valve	1
-P60999	- Barbed fitting 32/38 - 1 ; 1/2 for WINKY or OVLIN	1
-P4699	- Zodiac repair kit	1
P39751	Luxury safety ladder WINKY 5/120, 6 & 8 / OVLIN 301	
P34405	Ø 38 mm (12 m) separable hose kit	1
P36881	Floating Skimmer	1
P34657	OV6 inflation device	1
SAND	25 kg Sandbag	4
P20020	Azteck 16m ³ /h sand filtration plate for Ø 50 mm pipe	1

Approximate water volume **	50 m ³
Diameter of the body of water	7.80 m
Pool height	1.30 m

PACKAGING *

1 pallet of 1.83 x 0.83 x 2.04 m
Total weight: 200 kg

ASSEMBLY ***

 **2 persons**

 **3.5 hours**

* theoretical values - (bare pool)

** theoretical volume of water (pool and skirting)

*** approximate time for 2 people. Does not take into account the preparation of the soil or the filling of the pool.

COMPOSITION OF THE OVLINE 2000 KIT

KIT OVLINE 2000

Before installing your OVLINE 2000 swimming pool, make sure you have all the components in the kit.

Reference	Description	Quantity
P38450	OVLINE 2000 Pool, including:	1
-P19737	- Complete belt loop for WINKY or OVLINE	14
-P19745	- OVLINE 2000 belt	1
-P4570	- Pair of plugs	1
-P19734	- 1 1/2" male x female screw-in ball valve	1
-P60999	- Barbed fitting 32/38 - 1 ; 1/2 for WINKY or OVLINE	1
-P4699	- Zodiac repair kit	1
P39749	Luxury safety ladder for WINKY 4, 5/105 and OVLINE 2000	1
P34403	Ø 38 mm (12 m) separable hose kit	1
P36881	Floating Skimmer	1
P34657	OV6 inflation device	1
SAND	25 kg Sandbag	2
2260003	SF142 Filtration max flow 8 m ³ /h - Ø400 mm tank - Ø 38 mm hose	1

Approximate water volume **	25 m ³
Length of body of water	5.80 m
Width of body of water	3 m
Pool height	1.10 m

PACKAGING *

1 pallet of 1.20 x 0.80 x 1.90 m
Total weight: 90 kg

ASSEMBLY ***



* theoretical values - (bare pool)

** theoretical volume of water (pool and skirting)

*** approximate time for 2 people. Does not take into account the preparation of the soil or the filling of the pool.

COMPOSITION OF THE OVLINE 3000 KIT

KIT OVLINE 3000

Before installing your OVLINE 3000 swimming pool, make sure you have all the components in the kit.

Reference	Description	Quantity
P38451	OVLINE 3000 Pool, including:	1
-P19737	- Complete belt loop for WINKY or OVLINE	16
-P19746	- OVLINE 3000 belt	1
-P4570	- Pair of plugs	1
-P19734	- 1 1/2" male x female screw-in ball valve	1
-P60999	- Barbed fitting 32/38 - 1 ; 1/2 for WINKY or OVLINE	1
-P4699	- Zodiac repair kit	1
P39751	Luxury safety ladder for WINKY 5/120, 6 & 8 / OVLINE 30	1
P34403	Ø 38 mm (12 m) separable hose kit	1
P36881	Floating Skimmer	1
P34657	OV6 inflation device	1
SAND	25 kg Sandbag	3
2260004	SF152 Filtration max flow 11 m ³ /h - Ø500 mm tank - Ø 38 mm hose	1

Approximate water volume **	38 m ³
Length of body of water	7.20 m
Width of body of water	3.5 m
Pool height	1.20 m

PACKAGING *

1 pallet of 1.83 x 0.83 x 1.80 m
Total weight: 125 kg

ASSEMBLY ***



* theoretical values - (bare pool)

** theoretical volume of water (pool and skirting)

*** approximate time for 2 people. Does not take into account the preparation of the soil or the filling of the pool.

COMPOSITION OF THE OVLINE 4000 KIT

KIT OVLINE 4000

Before installing your OVLINE 4000 swimming pool, make sure you have all the components in the kit.

Reference	Description	Quantity
P38452	OVLINE 4000 Pool, including:	1
-P19737	- Complete belt loop for WINKY or OVLINE	20
-P19747	- OVLINE 4000 belt	1
-P4570	- Pair of plugs	1
-P19734	- 1 1/2" male x female screw-in ball valve	1
-P60999	- Barbed fitting 32/38 - 1 ; 1/2 for WINKY or OVLINE	1
-P4699	- Zodiac repair kit	1
P39751	Luxury safety ladder for WINKY 5/120, 6 & 8 / OVLINE 30	1
P34405	Ø 38 mm (18 m) separable hose kit	1
P36881	Floating Skimmer	1
P34657	OV6 inflation device	1
SAND	25 kg Sandbag	6
P20020	Azteck 16 m ³ /h sand filtration plate for Ø 50 mm pipe	1

Approximate water volume **	55 m ³
Length of body of water	9.20 m
Width of body of water	4.5 m
Pool height	1.20 m

PACKAGING *

1 pallet of 1.83 x 0.83 x 2.04 m
Total weight: 160 kg

ASSEMBLY ***



* theoretical values - (bare pool)

** theoretical volume of water (pool and skirting)

*** approximate time for 2 people. Does not take into account the preparation of the soil or the filling of the pool.

INFORMATION

Before proceeding with assembly, examine all the parts and identify them according to the nomenclature of your model.

Review all the tools and materials you'll need to install your pool. Buy what you need. All our pools are for outdoor family use. They are designed to be laid on firm (no backfill), stable ground.

Read and follow the safety instructions carefully. Please do not hesitate to contact our authorised distributors for further information. Be careful, your pool contains thousands of litres of water; a poorly prepared floor or a badly assembled pool can cause major damage.

REMINDER:

WINKY 4: Your pool contains 12 m³ of water, or 12 tonnes.

WINKY 5 - 105: Your pool contains 23 m³ of water, or 23 tonnes.

WINKY 5 - 120: Your pool contains 24 m³ of water, or 24 tonnes.

WINKY 6: Your pool contains 37 m³ of water, or 37 tonnes.

WINKY 8: Your pool contains 65 m³ of water, or 65 tonnes.

OVLIN 2000: Your pool contains 25 m³ of water, or 25 tonnes.

OVLIN 3000: Your pool contains 38 m³ of water, or 38 tonnes.

OVLIN 4000: Your pool contains 55 m³ of water, or 55 tonnes.



Warning: there are some very specific instructions to be followed: read them carefully and completely before setting up and starting installation work.

Legal obligations: check the current regulations on swimming pool installations (contact your local council).

Your pool must be built according to best practice and standards in force. Consult or have your work carried out by specialist contractors such as diggers, masons, pool builders, plumbers, electricians and others if necessary.

INFORMATION

ADVICE AND WARNINGS

The swimming pool is a place of joy and fun, but it also has risks, particularly for young children who don't know how to swim. Be particularly careful and never leave them unattended.

1. Never leave young children unattended. Never let them swim alone.
2. Do not dive; the water isn't deep enough.
3. Remove the ladder or access to the pool after use.
4. A summer cover, cover or winter cover does not constitute a safety device pursuant to standard NFP 90-308.
5. Teach children to swim as early as possible.
6. Never enter the water suddenly after exposure to the sun or violent exercise, as you risk hydrocution.
7. Only fill the pool with mains water and use maintenance products intended only for swimming pools. Always keep your water clean and chemically balanced.
8. Never allow an animal (dog, cat, etc.) to bathe in the pool, as it could tear the membrane and/or drown.
9. Never use your pool if you have been drinking alcohol or taking drugs. This could result in shock, unconsciousness, a serious accident or drowning.
10. If the pool has an unsecured access (raised terrace, pontoon, other...), you must use a standardised safety device. Contact a specialist dealer.
11. Don't swim after dark, when you can't see the bottom. It is your responsibility to provide adequate lighting. Consult your electrician about this type of installation, and check that you are complying with current electrical regulations.

INFORMATION

1. Never cut the membrane to fit a spotlight or any other non-original accessory.
2. Never swim between the pool wall and the ladder (risk of getting stuck).
3. Avoid placing anything around the pool that could be used for climbing or as a diving board. Leave plenty of space around the pool. (At least 1 metre).
4. Never throw heavy objects against the skirting or into the pool.
5. Never use an appliance such as a saltwater chlorinator: **risk of explosion of the pool, injury and voiding the guarantee.**
6. Periodically check the condition of your pool and its accessories. Replace any damaged or worn parts. Always use the manufacturer's original parts.

INFORMATION

As the pool is above ground and has no means of access, it does not require a standardised safety device. You can, however, add certain protective equipment such as :

- Standardised protective barrier with gate kept closed at all times
- Electronic passage or fall detector, in service and operational.



WARNING: never use a lawnmower or trimmer (nylon thread) near your pool. A cut could cause permanent damage to the pool. Never allow sharp objects to come into contact with the pool and avoid any violent impact with it. If an electric cable is damaged, do not repair it; have it replaced by an approved electrician.

SAFETY PICTOGRAM: you must affix the following two pictograms within 2 metres of the pool, visible to all (required by standard NF EN 16582):

▶ KEEP CHILDREN UNDER SUPERVISION IN AN AQUATIC ENVIRONMENT



▶ DO NOT DIVE



▶ IN THE EVENT OF DROWNING

- Act very quickly to get the victim out of the water
- Contact the fire brigade 18 and/or SAMU 15
- If you have been trained, practise First Aid

CHOOSING A POOL LOCATION

The following criteria must be considered before choosing the final location:

▶ THE GROUND

Select a location where you can obtain a perfectly level surface with no backfill. Watch out for water ingress.

▶ THE LOCATION

Determine the best location on your land. It must be spacious. Leave enough space around the base of the pool, at least 1 metre.

▶ OVERHEAD POWER LINES

As a precaution, the pool should not be placed directly under overhead power lines. In some departments, this is prohibited by law.

▶ SUNSHINE

If you have access to a number of sunny locations, it's best to choose those that receive the morning sun, which has a much greater calorific value than the late day sun.

▶ WIND

Install the pool somewhere that is sheltered from prevailing winds. A pool exposed to the wind loses a lot of heat through evaporation. Covers (summer bubble covers or winter covers) exposed to too much wind can deteriorate prematurely.

▶ WATER LEVELS

Except in the case of short-term maintenance, or when the pool is taken down for the winter period, it must always be kept at its normal level of use, whatever the season.

▶ TREES

Trees are not always an issue, but they can pose problems in terms of routine maintenance and water pollution.

▶ WATER SUPPLY

The pool is filled with water using a simple garden hose (do not use borehole water). Remember to allow for the possibility of draining your pool for wintering or short-term maintenance. Refer to regulations in force.

▶ UNDERGROUND CONNECTIONS

Make sure that no underground connections (water, gas, electricity, telephone, cables, etc.) run beneath the site of your pool.

▶ THE POWER SUPPLY

Provide a power supply for your filtration system.



**Incorrect installation may result in electric shock or even damage to the appliance.
We recommend you disconnect the power supply before carrying out any work.**

WARNING:

Your filtration system must be located at least 2 metres (IPX5) / 3.5 metres (IPX4) from your pool in accordance with the requirements of the NF C 15-100 installation standard. Seek the manufacturer's advice before modifying one or more elements of the filtration system.

INFORMATION

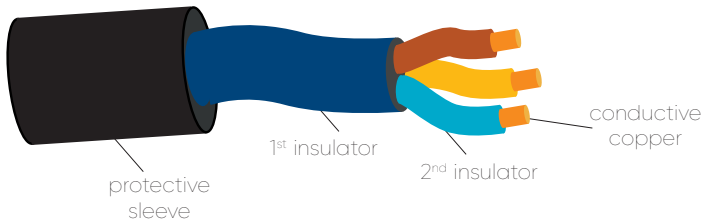
Electrical risk : Always connect your filtration system to an earthed power supply protected by a 30mA earth leakage circuit breaker. Contact a qualified electrician to check your installation. The filtration system must be connected to an electrical installation that complies with national installation standard NF C 15-100.

The type and cross-section of the electrical cable must be appropriate for your installation. The C15-100 electrical standard requires the use of electrical equipment with double insulation and no metal reinforcement.

For a fixed installation, use a U1000R2V (or RO2V) type cable with a protective sheath or trunking.

For temporary use, a more flexible H07 RNF cable can be used, but under a protective trunking.

The cable cross-section depends on the power consumed by your appliances and the length of cable used. Refer to the table below.



Maximum lengths of copper cable for single-phase 230V supply (2% voltage drop).
cable conductor cross-section

Current (A)	Power (KW)	1.5 mm ²	2.5 mm ²	4 mm ²
2.2	0.5	69 m	115 m	184 m
4.3	1	35 m	58 m	92 m
6.5	1.5	23 m	38 m	61 m
8.7	2	17 m	29 m	46 m
10.9	2.5	14 m	23 m	37 m
13.0	3	12m	19 m	31 m
17.4	4	x	14m	23 m

INFORMATION

PREPARING THE GROUND

The ground on which the pool rests must be flat, firm, stable, smooth and perfectly level. The pool fabric should always be placed on a special rot-proof liner mat (not supplied). Never place the pool on the ground or directly on a cement floor.

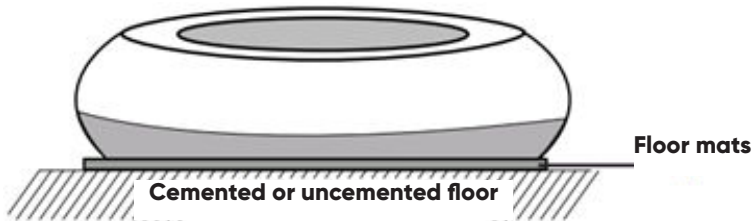
PREPARING THE SUPPORT

There are two possible types of support.

▶ ON A CONCRETE SLAB

Check with a professional that the admissible load per m^2 of the slab (existing or future) is sufficient (1 m water height = $1,000 \text{ kg}/\text{m}^2$).

You can install your pool after this check and once the ground is clean and level.



▶ ON NATURAL GROUND (NOT CEMENTED)

Never install your pool directly on ground such as:

- Freshly treated with chemical products such as fertilisers or weedkillers, which can irreparably damage the liner.
- Gravel / Grass / Wood bark / Sea sand.
- Freshly tarmacked ground.

INSTALLATION OF THE POOL

1. Mark out the floor surface to be prepared. This is equal to the external dimensions of the pool + 10 cm

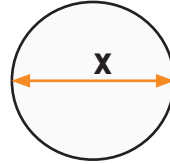
WINKY 4 : $X = 5 \text{ m} + 10 \text{ cm}$

WINKY 5 - 105 : $X = 6.3 \text{ m} + 10 \text{ cm}$

WINKY 5 - 120 : $X = 6.55 \text{ m} + 10 \text{ cm}$

WINKY 6 : $X = 7.5 \text{ m} + 10 \text{ cm}$

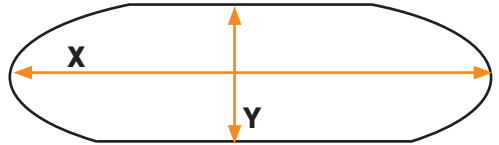
WINKY 8 : $X = 9.5 \text{ m} + 10 \text{ cm}$



OVLINE 2000: $X = 7 \text{ m} + 10 \text{ cm}$
 $Y = 5 \text{ m} + 10 \text{ cm}$

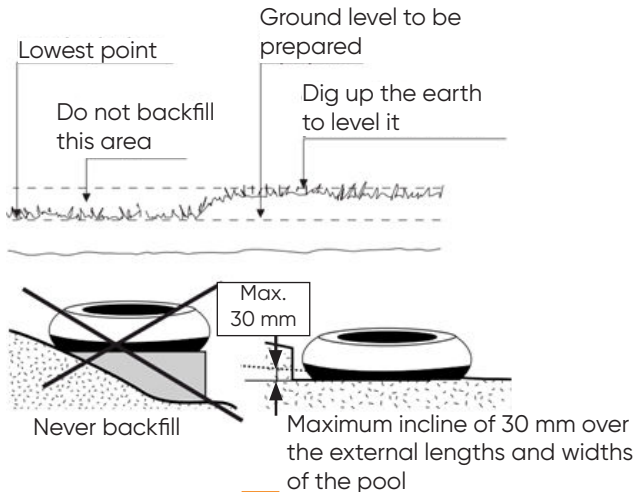
OVLINE 3000: $X = 9.2 \text{ m} + 10 \text{ cm}$
 $Y = 6.3 \text{ m} + 10 \text{ cm}$

OVLINE 4000: $X = 11.2 \text{ m} + 10 \text{ cm}$
 $Y = 7.3 \text{ m} + 10 \text{ cm}$



If the land is on a slope, always remove the soil from the top. Never place the pool on backfilled ground. Under the weight of the water, settling will cause stresses that could deform and damage your pool.

If you don't have a laser level, use a long ruler and a spirit level. Find the lowest point of the surface to be prepared and level the ground to the height of this point. Level the ground on the basis of the lowest point, once the topsoil has been stripped.



INSTALLATION OF THE POOL

- It is particularly important for the ground to be stable, compact and free of anything that could damage the pool. To correct any unevenness in the floor, spread, level and compact a layer of washed 0.2 mm crushed sand approximately 2 cm thick before installing the floor mat.

ASSEMBLY EXAMPLE



SCAN TO VIEW THE WINKY /
OVLINE POOL ASSEMBLY
TUTORIAL

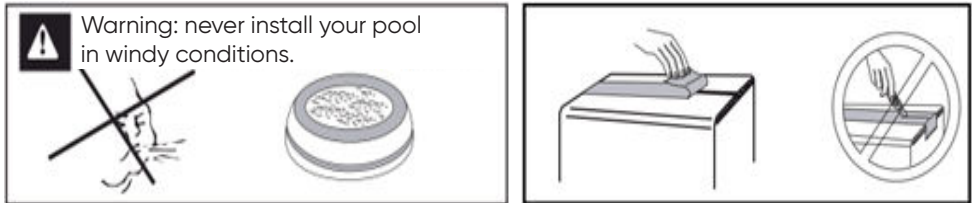
DOWNLOAD A FREE APPLICATION TO READ THIS
QR CODE.



INSTALLATION OF THE POOL

SETTING UP THE POOL

1. Never use a box cutter to open the box. Remove the pool in several groups according to weight. Never drag the pool over the ground, whatever its nature. Keep the packing box.



2. Position the pool on the prepared surface. Make sure that the discharge valve is positioned on the side where you want to install your filtration system. Unfold it to the right and then to the left.



3. Make sure the non-return valve is properly assembled and screwed to the pool wall.



INSTALLATION OF THE POOL

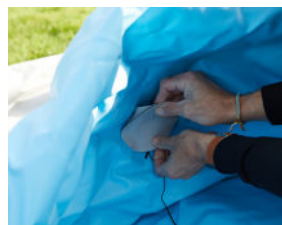
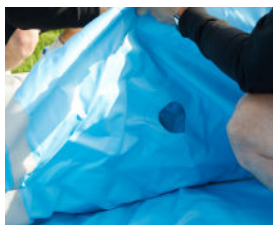
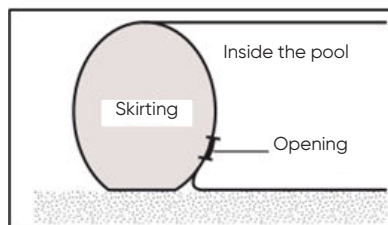
4. Remove the protective cap from the discharge connection. Apply approximately 15 turns of Teflon tape in the direction of the thread. Screw on the quarter-turn valve and turn it to the closed position.



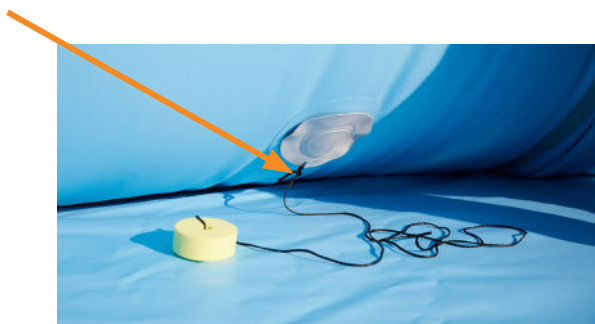
Caution: please ensure that the nut holding the discharge connection to the skirting wall is tight, to prevent it turning when the valve is installed.



5. Fitting the plugs: two holes are drilled in the pool skirting, on the water side and opposite the water inlet valve. Once the pool is fully unfolded, seal these holes using the cloth sealing discs supplied.



6. Take care to position the plug discs so that the strings are pointing downwards to make it easier to remove the discs once the pool is in water. Check the strength of the connectors.



INSTALLATION OF THE POOL

INFLATING, INSTALLING THE BELT, FITTING THE BOTTOM AND FILLING

1. Unscrew the plug on the non-return valve, then connect the inflation device supplied with the kit to the valve. Inflate the sausage slightly, it should start to take its shape.



WARNING: NEVER USE A COMPRESSOR, OTHERWISE THE POOL WILL BURST AND THE WARRANTY WILL BE VOID.



At this stage, it is still possible to move the pool to position it correctly on the prepared surface.

2. Install the belt: make sure it's placed the right way. The reflective strip must be on the outside. Take care not to twist the belt.



The belt must be positioned between the two loop supports. As you install the belt, secure it with the belt loops.



INSTALLATION OF THE POOL

3. Turn off the inflation device once the pool has taken on its final shape (too much pressure can cause one of the plugs to eject, but it is always possible to reposition them and start inflating again). From the outside, to remove some of the folds at the bottom of the pool, you can lift the skirting 30-40 cm, without pulling on the belt, and lay it down gently.



4. From the inside, lightly push the material from the centre towards the skirting.
5. Start filling your pool and continue stretching the bottom to get rid of any folds.



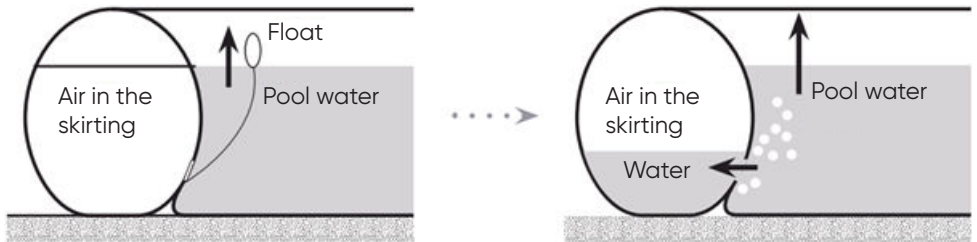
! **CAUTION:** after 3 cm of water, it will no longer be possible to remove any folds.

6. While continuing to fill the pool, start inflating the skirting again.

! **WARNING:** If the pressure is too high, one of the plugs may be ejected from its housing. If this is the case, replace it and then reinflate the bladder to restore its shape.

INSTALLATION OF THE POOL

7. During filling, and if necessary, reinflate the skirting with air so that it retains its shape.
8. Fill the pool with water until it reaches the haloyards (cords), then remove the plugs by pulling on the floats. The water passes through the skirting to balance the pressure and drops on the bath side. Refill until you reach the haloyards.



9. Remove the inflation device and screw the plug onto the non-return valve.

INSTALLATION OF THE POOL

CONNECTING THE FILTER

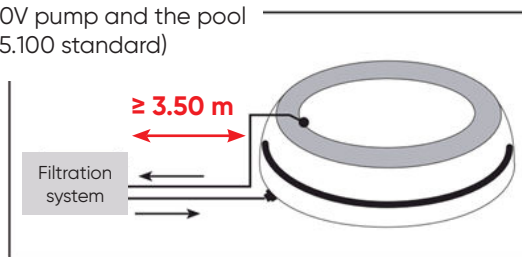
To assemble the sand filter, refer to the instructions supplied with it.

Choose a dry location with good drainage, accessible for cleaning the pump and access to the valve. Choose a shady spot (natural or artificial) to avoid overheating the motor. Install the unit on a rigid, flat, level surface. For safety reasons, filtration must be installed at a minimum distance of 3.50 m from the pool. If the distance is greater, contact your distributor to discuss possible solutions.

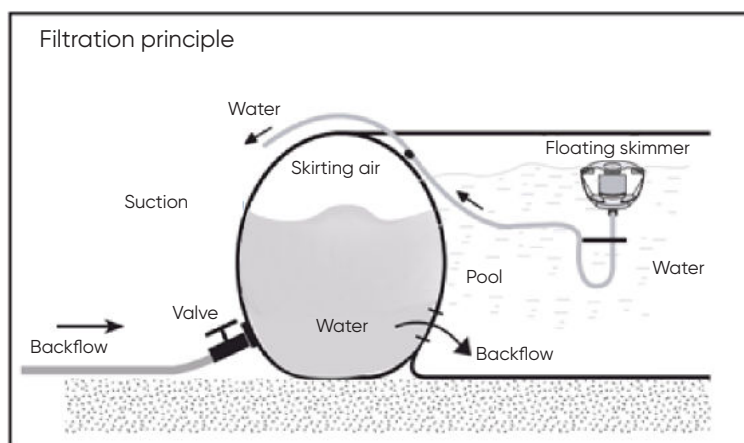


We recommend disconnecting the system from the mains before carrying out any work.

Minimum distance between the 230V pump and the pool (NFC 15.100 standard)



You must use a socket fitted with a 30mA differential circuit breaker. **More details on pages 18 and 19 of this leaflet.**

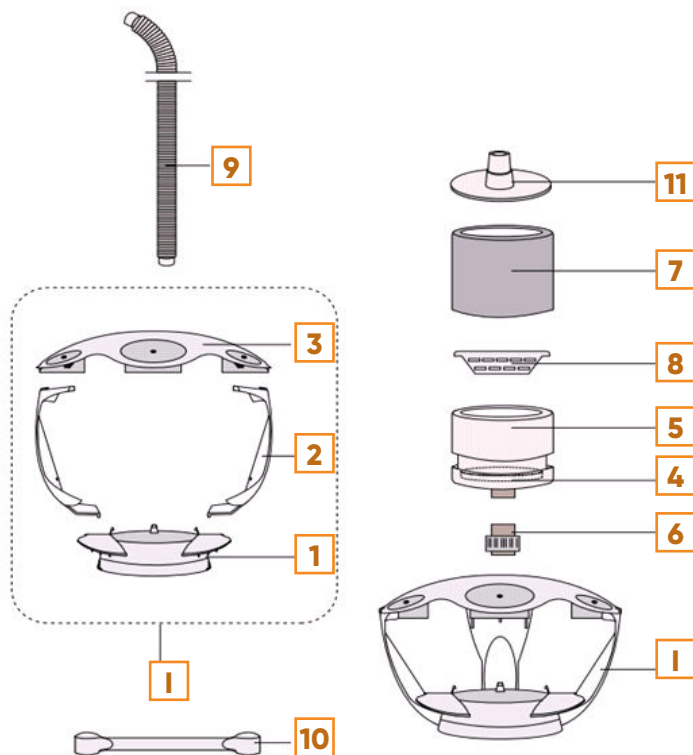


INSTALLATION OF THE POOL

FITTING AND INSTALLING THE FLOATING SKIMMER

COMPOSITION OF THE FLOATING SKIMMER KIT

No.	Designation	Quantity	Reference
1	Base	1	P60992
3	Arm	3	A-P60993
3	Upper cup	1	P60994
4	Ballast	1	P19385
5	Body	1	P19263
6	Barbed connector	1	P60999
7	Float	1	P19262
8	Pre-filter basket	1	P17817
9	Brush hose	-	not supplied
10	Flange	1	P19386
11	Brush holder	1	P17818

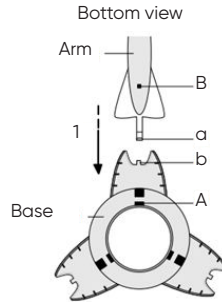
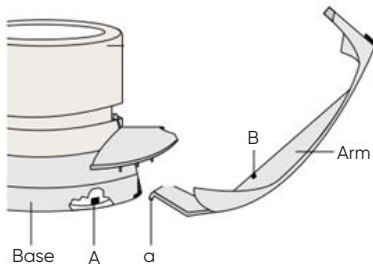


INSTALLATION OF THE POOL

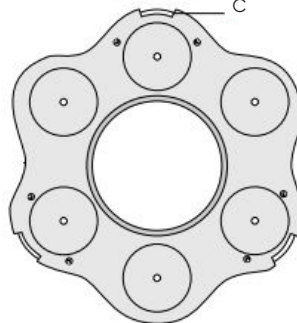
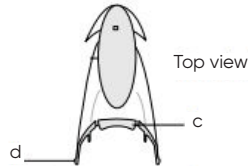
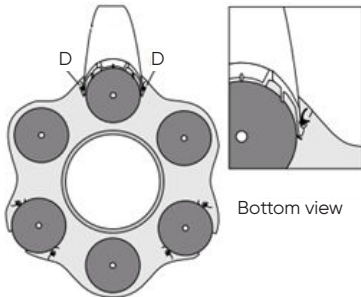
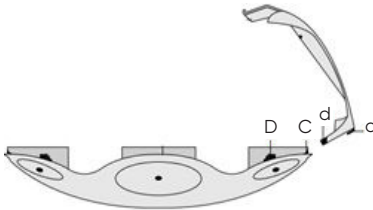
ASSEMBLING THE SKIMMER

Note: a skimmer should always be positioned facing the prevailing wind, which will carry dirt back into the floating skimmer.

1. Connect the arms to the base. Clip (a) goes into opening (A) and clip (b) into opening (B).



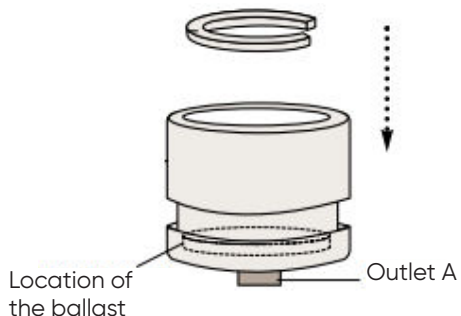
2. Connect the arms to the upper cup. Clip (c) goes into opening (C) and clip (d) into opening (D). Repeat for the other two arms.



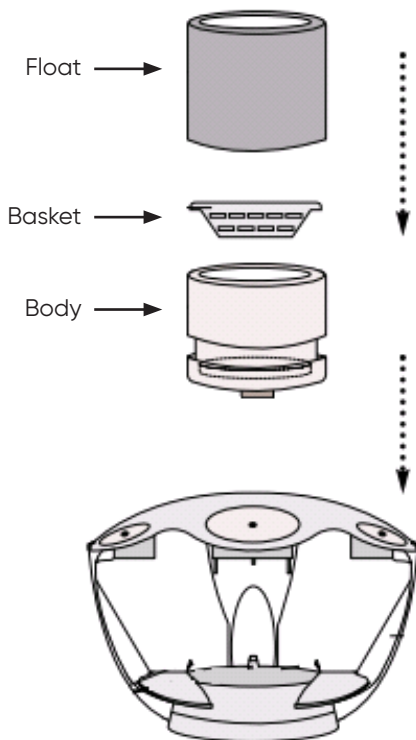
Note: check that the clips (d) are properly engaged in the notches (D).

INSTALLATION OF THE POOL

3. Place the ballast in the body of the skimmer and screw the barbed connector to the skimmer outlet.



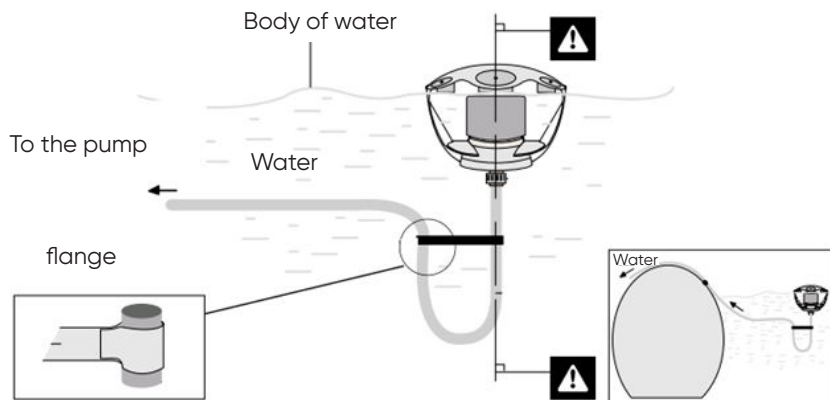
4. Check that the body is properly engaged in the float unit, place the pre-filter basket in the body, then place the float on the body.



INSTALLATION OF THE POOL

▶ INSTALLING THE FLOATING SKIMMER

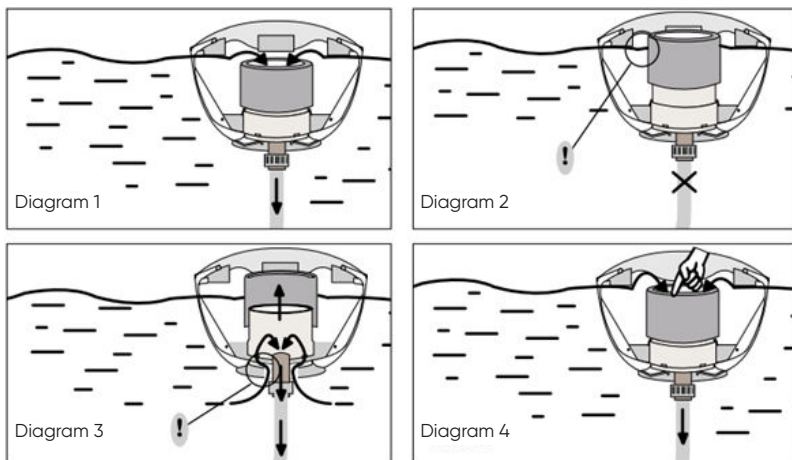
Connect the hose from your filtration system to the hose barb. Slide the flange over the connecting pipe so that the skimmer is perpendicular to the water.



As it floats freely on the water, this floating skimmer has the advantage of automatically adjusting itself in relation to the body of water.

Diagram 1 shows the path of the water flow when the filtration system is in operation.

If, for any reason, the skimmer becomes disconnected while the filtration system is operating (diagram 2), the body will lift up by suction, allowing water to pass through the openings (diagram 3). This system prevents the filtration system from becoming disconnected. The skimmer is reconnected automatically. If this is not the case, check that the float slides correctly over the body (diagram 4).



STARTING UP AND CLEANING THE POOL

START-UP

To start up your filtration system, refer to the filtration manual. It can even be used while swimming.

It is sometimes possible for the skimmer to become disconnected when there is a lot of movement on the surface of the water.

Important: To prime the pump :

- Stop filtration.
- Place the skimmer on top of the skirting.
- Partially unscrew the pre-filter cover from the pump.
- Fill the hose from the skimmer using a garden hose.
- When the water escapes through the pump's pre-filter cover, close the cover again.
- Return the skimmer to the water.
- Then start the filtration system.
- Under no circumstances should chlorine (powder or pebbles) be thrown directly into the pool or skimmer, as this will discolour the liner and damage the filtration device.
- When the pool is not in use, use a chlorine float (not supplied) to distribute the chlorine pebbles slowly and evenly (make sure the cover is closed).

Under no circumstances should chlorine (undiluted powder, tablets or pebbles) be thrown directly into the pool or skimmer, as this will discolour the liner and damage the filtration device.

Use a floating chlorine diffuser (not supplied) to distribute the chlorine pebbles slowly and evenly (make sure the lid is closed).

STARTING UP AND CLEANING THE POOL

CLEANING THE POOL WITH A VACUUM

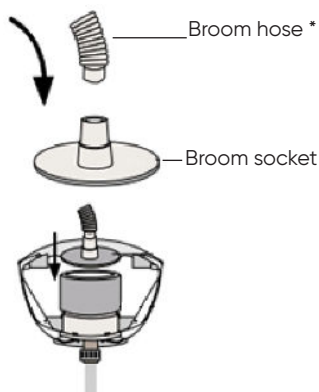
Place the head of the vacuum on the telescopic handle.

Place one end of the vacuum hose on the broom head and the other on the broom socket plate.

** Not supplied with floating skimmer*

Before fitting the brush connector to the skimmer float, make sure there are no more air bubbles in the brush or robot pipes. To do this, prime the hose, with the Hoover brush already at the bottom, by filling the hose completely with water.

With the filtration system running, place the brush plate on the skimmer, avoiding any ingress of air.



ASSEMBLING THE LADDER

Refer to the assembly instructions for your ladder for instructions on how to assemble it.

Only place the ladder when the pool is fully installed and in water. Avoid the ladder touching the pool (friction could damage the fabric of the pool).

Caution:

- **If the pool is not properly filled with water and the skirting filled with air, there is a risk of the ladder rubbing against it.**

Reminder:

- **For safety reasons, remove the ladder when the pool is not in use if it does not have retractable steps.**
- **Safety stickers (supplied with the ladder) should be affixed in a visible position, indicating that the retractable section should be raised when not in use.**

The ladder is made from stainless steel tubing. External metal particles can deposit and oxidise on the surface. It therefore needs to be cleaned regularly.

SAFETY ADVICE

Please read the recommendations set out below with care.

WARNING

Swimming pools can represent a serious danger for your children. Drowning can happen very quickly.

Children who are close to a swimming pool need to be watched constantly and actively, even if they know how to swim.

Learn lifesaving skills.

The physical presence of an adult is absolutely essential whenever the pool is open.



Memorise the telephone numbers for the emergency services and ensure that they are displayed close to the pool.

18 (in France) or **112**

FIRE SERVICE

15

**AMBULANCE
SERVICE**

(write the number that applies in your region)

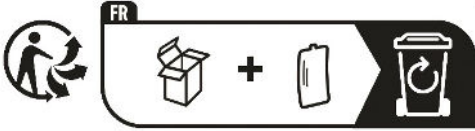


POISON CONTROL

CENTRE

RECYCLING

PACKAGING



Dispose of the packaging in line with current rules and regulations.

END OF LIFECYCLE



- Do not put your scrapped equipment or used batteries in with unsorted household waste.
- You are responsible for disposing of all of your waste, in particular electrical and electronic equipment by taking it to a collection point where recycling and valorisation are carried out.
- Certain products potentially contain substances that are dangerous for the environment, and you need to ensure that these are eliminated or neutralised.
- Make sure that you are aware of all existing recovery and collection systems.



discard the manual in line with the current regulations.

DEL SAS
17 R COLONEL BOUVET
68530 BUHL - FRANCE

☎ +33 (0)9 70 72 5000 / INFO.FR@CF.GROUP

STAMP

Zodiac Original,
A brand by

